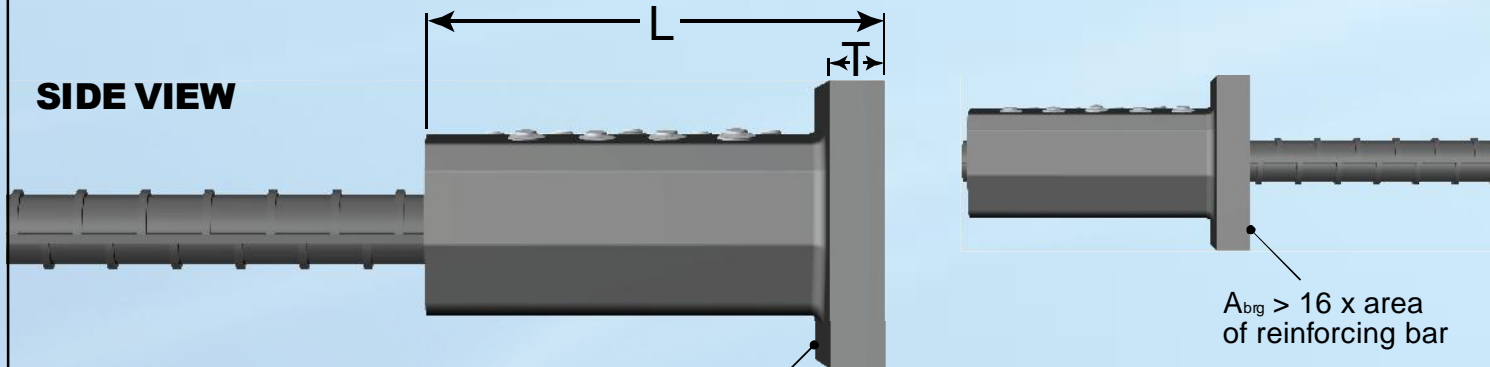


# Zap T-lok™

## ZAP T-Lok™ DATA SHEET — Dimensions and Data [inch-pound units]

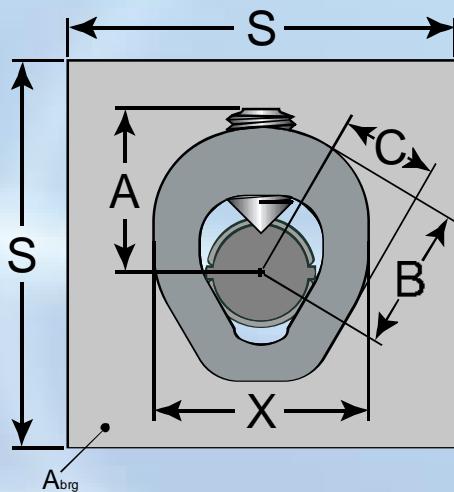
### ASSEMBLY ORIENTATIONS

**SIDE VIEW**



**END VIEW**

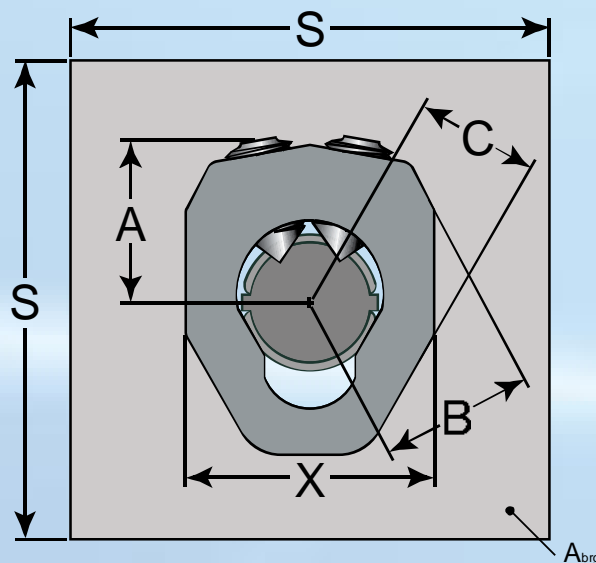
**sizes #6, #7, #8, #9**



$A_{brg} > 9 \times$  area of reinforcing bar

**END VIEW**

**sizes #10, #11, #14**



$A_{brg}$  = net bearing area of the head in tension.  
For Zap T-lok,  $A_{brg} = 9 \times$  area of reinforcing bar (minimum).  
Gross area is greater than 16 x area of reinforcing bar.

REBAR SIZE	PRODUCT CODE	COUPLER WEIGHT (lb)	LENGTH 'L' (in)	'A' (in)	'B' (in)	'C' (in)	'X' (in)	'S' (in)	'T' (in)	NUMBER SCREWS PER BAR	AVERAGE TORQUE (ft-lbs)
6	0607ZDX	5.6	6 1/2	1 5/8	1 3/8	3/4	1 7/8	3 1/4	5/8	4	100
7	0607ZDX	5.5	6 1/2	1 3/8	1 1/4	7/8	1 7/8	3 1/4	5/8	4	100
8	0809ZDX	10	8 3/8	2	1 3/4	1	2 3/8	4 1/4	3/4	5	200
9	0809ZDX	10	8 3/8	1 13/16	1 9/16	1 1/8	2 3/8	4 1/4	3/4	5	200
10	1011ZDX	19	8 1/2	2	1 7/8	1 1/4	2 3/4	5 1/4	1	9	200
11	1011ZDX	19	8 1/2	1 3/4	1 11/16	1 3/8	2 3/4	5 1/4	1	9	200
14	14ZDX	32	10 1/4	2 1/8	2	1 5/8	3 1/2	6 1/4	1 1/4	10	350

While the information contained in this document is believed to be accurate at the time of publication, BPI reserves the right to make changes, design modifications, corrections and other revisions as it sees fit, without notice. All products described herein are supplied in accordance with BPI's standard Terms and Conditions of Sale. This document is of a promotional nature only. Aspects of structural design, evaluation of product fitness for use, suitability or similar attributes are the responsibility of others.